

手动隔膜阀 KST280

MANUAL DIAPHRAGM VALVE

工作压力：0-10bar
 工作温度：-40~150℃
 驱动机构：手动控制
 密封材质：EPDM,EPDM+TFM
 阀体设计：直通阀体设计
 阀体材质：316L（铸造，EN1.4409 CF3M）
 接口尺寸：DN65-DN85
 接口方式：KST280-1：焊式、KST280-2焊卡式、
 KST280-3:卡式
 表面处理：外表面Ra≤0.5μm（SF1），
 内表面Ra≤0.375μm（SF4）
 接口标准：ISO,DIN,ASME BPE.3A,BS

Working pressure: 0-10bar
 Working temperature: -40~150℃
 Drive mechanism: pneumatic control
 Seal material: EPDM+TFM, EPDM
 Body design: straight through valve design
 Body material: 316L (casting, CF3M EN1.4409)
 Interface size: DN65-DN85
 Interface type: KST280-1 type, KST280-2 type welding: welding,
 KST280-3: card
 Surface treatment: the outer surface of Ra is less than or equal to
 0.5 m (SF1),
 The inner surface of Ra is less than or equal to 0.375 m (SF4)
 Interface standard: ISO, DIN, BPE.3A BS, ASME



驱动器

类型：KST-SS280

尺寸：DN65-DN80

主要材质：不锈钢手轮、壳体、阀杆、支座、PC显示盖

状态显示：手动开关状态显示如图

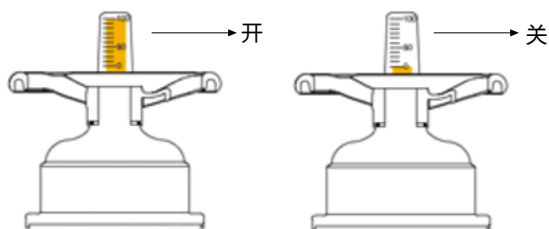
Drive

Type: KST-SS280

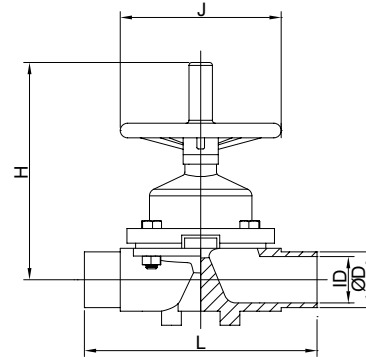
Size: DN65-DN80

Main material: stainless steel hand wheel, shell, valve stem, support, PC display cover

Status display: manual switch status display

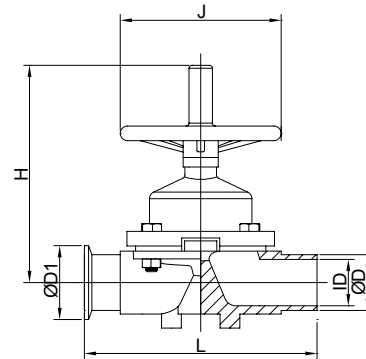


手动隔膜阀 MANUAL DIAPHRAGM VALVE



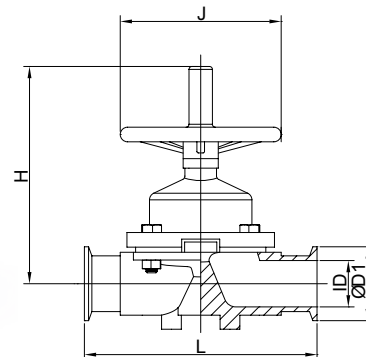
No.KST280-1

| Size | ΦD | ΦD1 | ID | L | H | J |
|-------|------|-----|------|-----|-----|-----|
| Φ63.5 | 63.5 | - | 59.5 | 216 | 264 | 180 |
| Φ76 | 76.2 | - | 72.5 | 254 | 269 | 180 |
| Φ89 | 88.9 | - | 84.9 | 254 | 274 | 180 |



No.KST280-2

| Size | ΦD | ΦD1 | ID | L | H | J |
|-------|------|------|------|-----|-----|-----|
| Φ63.5 | 63.5 | 77.5 | 59.5 | 216 | 264 | 180 |
| Φ76 | 76.2 | 91 | 72.5 | 254 | 269 | 180 |
| Φ89 | 88.9 | 106 | 84.9 | 254 | 274 | 180 |



No.KST280-3

| Size | ΦD | ΦD1 | ID | L | H | J |
|-------|----|------|------|-----|-----|-----|
| Φ63.5 | - | 77.5 | 59.5 | 216 | 264 | 180 |
| Φ76 | - | 91 | 72.5 | 254 | 269 | 180 |
| Φ89 | - | 106 | 84.9 | 254 | 274 | 180 |