

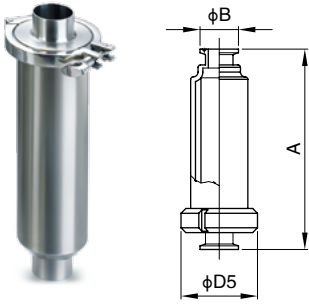


# 卡箍式直通过滤器

www.cnkingstone.com www.china-kst.com

## CLAMPED STRAIGHT STRAINER

卡箍式直通过滤器  
Clamped straight strainer

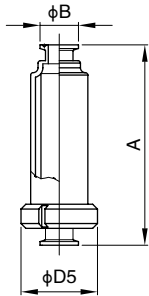


DIN

No.KST-G10106

Size	A	B	D5	Kg
DN25	306.0	50.0	95.0	
DN32	306.0	50.0	110.0	
DN40	306.0	50.0	110.0	
DN50	406.0	64.0	110.0	
DN65	503.0	77.5	127.0	
DN80	561.0	91.0	148.0	
DN100	662.0	119.0	178.0	

卡箍式直通过滤器  
Clamped straight strainer

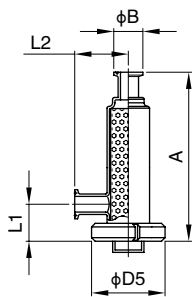


SMS/ISO/IDF/3A

No.KST-G10107

Size	A	B	D5	Kg
1"	25	306.0	50.5	95.0
1 1/2"	32	306.0	50.5	110.0
1 1/4"	38	306.0	50.5	110.0
2"	51	406.0	64.0	110.0
2 1/2"	63	503.0	77.5	127.0
3"	76	561.0	91.0	148.0
4"	102	662.0	119.0	178.0

卡箍角式过滤器  
Clamped angle strainer

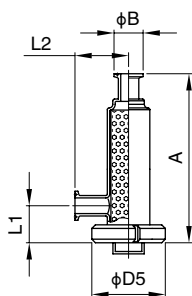


DIN

No.KST-G10108

Size	A	B	D5	L1	L2	Kg
DN25	306.0	50.0	95.0	60.0	70.0	
DN32	306.0	50.0	110.0	60.0	70.0	
DN40	306.0	50.0	110.0	80.0	70.0	
DN50	406.0	64.0	110.0	100.0	72.0	
DN65	503.0	91.0	127.0	120.0	85.0	
DN80	561.0	106.0	148.0	140.0	96.0	
DN100	662.0	119.0	178.0	160.0	117.0	

卡箍角式过滤器  
Clamped angle strainer



SMS/ISO/IDF/3A

No.KST-G10109

Size	A	B	D5	L1	L2	Kg
1"	25	306.0	50.5	95.0	60.0	70.0
1 1/2"	32	306.0	50.5	110.0	60.0	70.0
1 1/4"	38	306.0	50.5	110.0	80.0	70.0
2"	51	406.0	64.0	110.0	100.0	72.0
2 1/2"	63	503.0	77.5	127.0	120.0	85.0
3"	76	561.0	91.0	148.0	140.0	96.0
4"	102	662.0	119.0	178.0	160.0	117.0