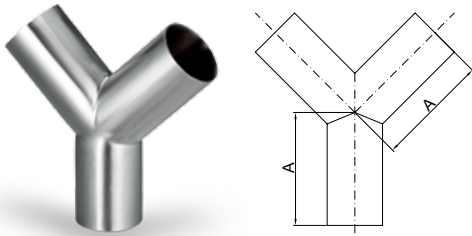


卫生级管件(3A) SANITARY PIPE FITTINGS

对焊 "Y" 型三通
Welded Y-type Tee

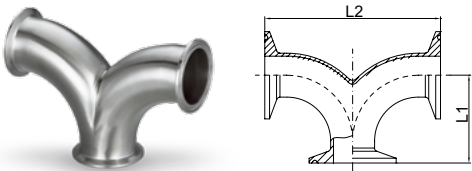


3A

No.KST-P026

Size	A
1/2	50.8
3/4	50.8
1	76.2
1 1/2	76.2
2	101.6
2 1/2	127.0
3	152.4
4	203.2
6	203.2

90°卡箍式双弯头
90° Clamped Double Bend

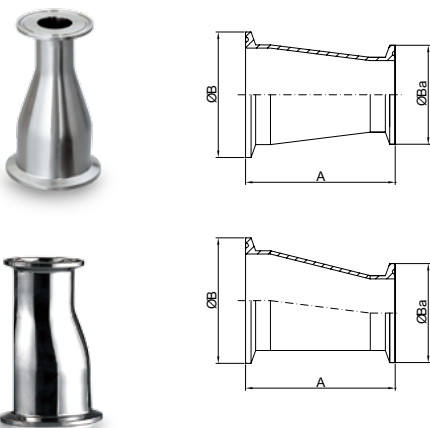


3A

No.KST-P027

Size	L1	L2
1"	50.8	101.6
1 1/2"	69.85	139.7
1 1/4"	60.4	120.8
2"	88.9	177.8
2 1/2"	107.9	215.9
3"	127.0	228.6
4"	168.4	336.8

卡箍式大小头
Clamped Reducer



3A

No.KST-P028

Size	A	B	Ba
1.5"-1.0"	76.2	50.5	50.5
2.0"-1.0"	127	64	50.5
2.0"-1.5"	76.2	64	50.5
2.5"-1.0"	177.8	77.5	50.5
2.5"-1.5"	127	77.5	50.5
2.5"-2.0"	76.2	77.5	64
3.0"-1.0"	228.6	91	50.5
3.0"-1.5"	177.8	91	50.5
3.0"-2.0"	127	91	64
3.0"-2.5"	76.2	91	77.5
4.0"-1.0"	333.4	119	50.5
4.0"-1.5"	282.6	119	50.5
4.0"-2.0"	231.8	119	64
4.0"-2.5"	181	119	77.5
4.0"-3.0"	130.2	119	91
6.0"-4.0"	193.7	167	119